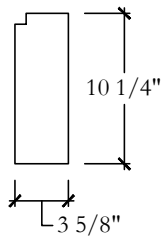


RETURN  
PROFILE

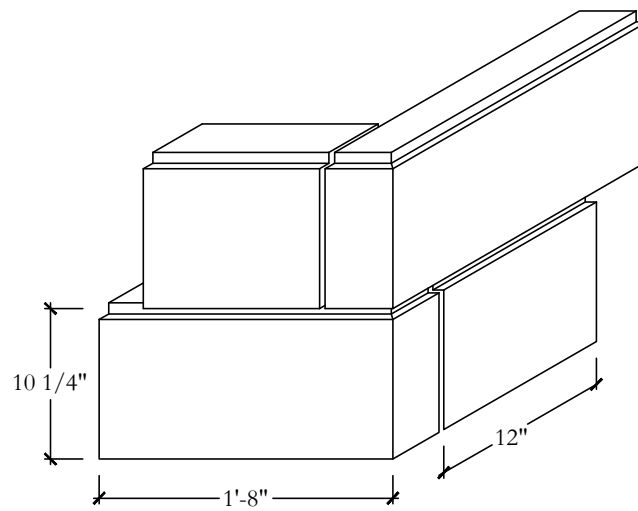


FACE  
PROFILE

COLOR: \_\_\_\_\_

QUANTITY: \_\_\_\_\_

CCS TOLERANCE: ±.125



ISOMETRIC

**Q4RS (RUSTICATED STAGGERED)**

SCALE: 1"=1'

SHOP DRAWING(S) STATUS (CHECK ONE)

RESUBMIT FOR APPROVAL:

APPROVED W/ MODIFICATIONS:

APPROVED

\_\_\_\_\_  
SIGNATURE

\_\_\_\_\_  
DATE

\_\_\_\_\_  
PRINTED NAME

<b><u>SHOP USE ONLY</u></b>	
CATALOG #	_____
CUSTOM ID #	_____

DATE: \_\_\_\_\_

PROJECT: \_\_\_\_\_

CONTRACTOR: \_\_\_\_\_



734 E.169th Street, Westfield, IN 46074 Bus:(317) 896-1700 Fax:(317) 896-1701 Toll:(888) 776-9960

DRAWN BY: \_\_\_\_\_

CHECKED BY: \_\_\_\_\_

SHEET NO. \_\_\_\_\_