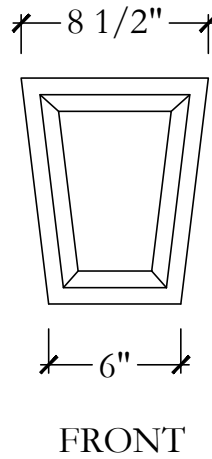
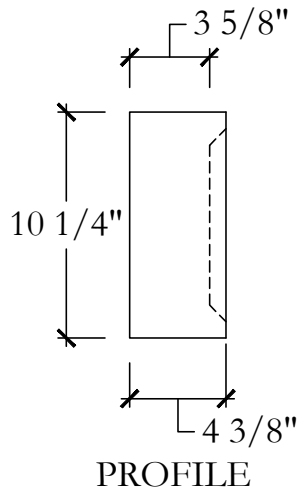


COLOR: _____

QUANTITY: _____

CCS TOLERANCE: ±.125



KEY-4R1 (RECESSED)

SCALE: 1-1/2"=1'

SHOP DRAWING(S) STATUS (CHECK ONE)

- RESUBMIT FOR APPROVAL:
- APPROVED W/ MODIFICATIONS:
- APPROVED

SIGNATURE

DATE

PRINTED NAME

<u>SHOP USE ONLY</u>
CATALOG # _____
CUSTOM ID # _____

DATE: _____

PROJECT: _____

CONTRACTOR: _____



734 E.169th Street, Westfield, IN 46074 Bus:(317) 896-1700 Fax:(317) 896-1701 Toll:(888) 776-9960

DRAWN BY:
CHECKED BY:
SHEET NO. _____